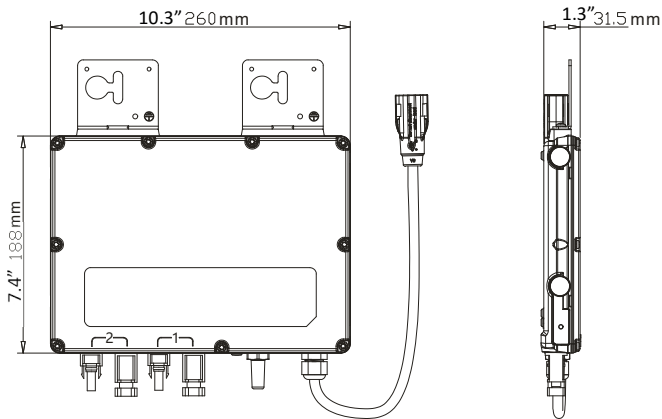


# YC600

## Microinverter

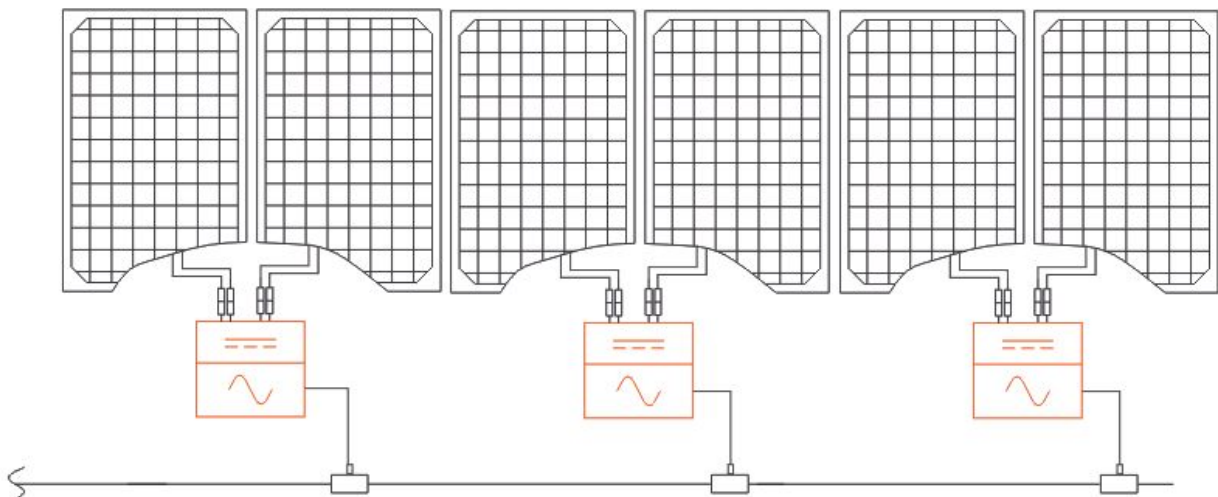
- Dual-module microinverter with independent MPPT per panel
- Utility interactive with Reactive Power Control (RPC)
- 600VA peak output power
- CA Rule 21 (UL 1741 SA) compliant
- Accommodates 60 & 72-cell PV modules up to 375W+

### DIMENSIONS



The YC600 is a dual-module, utility-interactive microinverter with Reactive Power Control (RPC) technology and Rule 21 grid support functionality. The first of its kind, the YC600 was designed to accommodate today's high output PV panels, offer enhanced capability and meet the latest grid compliance standards. Offering an unprecedented 300VA peak output power per channel, the YC600 works with 60 and 72-cell PV modules and offers dual, independent MPPT per panel. The YC600 also operates within a wider MPPT voltage range than competing brands for a greater energy harvest.

### WIRING SCHEMATIC



# YC600 Microinverter Datasheet

Region	LATAM	
Model	YC600-NA-MX	YC600-BR
<b>Input Data (DC)</b>		
Recommended PV Module Power (STC)	250Wp-375Wp	
MPPT Voltage Range	22V-48V	
Operation Voltage Range	16V-55V	
Maximum Input Voltage	60V	
Maximum Input Current	12A x 2	
Maximum Input Short Circuit Current	13.2A	
<b>Output Data (AC)</b>		
Maximum Continuous Output Power	548VA	550VA
Peak Output Power	600VA	
Nominal Output Voltage/Range	240V/211V-264V	220V/176V-242V
Adjustable Output Voltage Range	160-278V	
Nominal Output Current	2.28A	2.5A
Nominal Output Frequency/Range	60Hz/59.3Hz-60.5Hz	60Hz/57.5Hz-62Hz
Adjustable Output Frequency Range	55.1-64.9Hz	
Power Factor(Adjustable)	0.8 leading...0.8 lagging	
Total Harmonic Distortion	<3%	
Maximum Output Overcurrent Protection	6.3A	
<b>Efficiency</b>		
Peak Efficiency	96.7%	
CEC Efficiency	96.5%	
Nominal MPPT Efficiency	99.5%	
Night Power Consumption	60mW	
<b>Mechanical Data</b>		
Operating Ambient Temperature Range	-40° F to +149° F (-40 °C to +65 °C )	
Storage Temperature Range	-40 °F to +185 °F (-40 °C to +85 °C )	
Dimensions (W x H x D)	10.3" x 7.4" x 1.3" (260mm X 188mm X 31.5mm)	
Weight	5.7lbs(2.6kg)	
AC Bus Maximum Current	20A	
Connector Type	MC4 Type or Customize	
Cooling	Natural Convection - No Fans	
Enclosure Environmental Rating	Type 6	IP67
Overvoltage Category	OVC II For PV Input Circuit, OVC III For Mains Circuit	
<b>Features</b>		
Communication (Inverter To ECU)	Wireless Zigbee	
Transformer Design	High Frequency Transformers, Galvanically Isolated	
Monitoring	Via EMA* Online Portal	
Warranty	10 Years Standard	
<b>Certificate&amp;Compliance</b>		
Compliance	UL1741; CA Rule 21 (UL 1741 SA); FCC Part15; ANSI C63.4; ICES-003;IEEE1547	ABNT NBR 16149:2013, ABNT NBR 16150:2013

\*APsystems online Energy Management Analysis (EMA) platform

© All Rights Reserved

Specifications subject to change without notice - please ensure you are using the most recent update found at [www.APsistemas.com](http://www.APsistemas.com)

AV. Lazaro Cardenas 2850-5 º Piso, Colonia Jardines del Bosque C.P. 44520, Guadalajara, Jalisco | 52 (33) -3188-4604 | [APsystems.com](http://APsystems.com)